

# GAMZEN

Redefine Quality With Innovation

[Click to view product videos](#)



Construction Machinery  
& Piling Equipments.

ISO CERTIFIED 9001:2000





# Skid Steer



5050

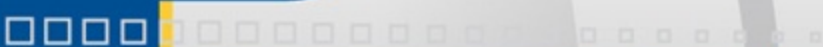


8080 EX



8080

# LOADER WITH TRACK



# Skid Steer Attachments.



ON A SITE



ON A SITE WITH 30 Cum



CHAIN WHEEL



SWEeper



ROCK BREAKER



AUGER



POLE ERECTOR



POLE ERECTOR

# Skid Steer Attachments.



Concrete Mixer



Grass Mover



Grapple



Lifting Hook



Lifting Hook



Planer



Fork Grapple



Compactor



Oil Drum Clamp



6 in 1 Bucket



Mulcher

# Skid Steer Attachments.



Skid Steer with Rubber Track for Sand and Marshy Land Work



Side Grapple



Side Grapple



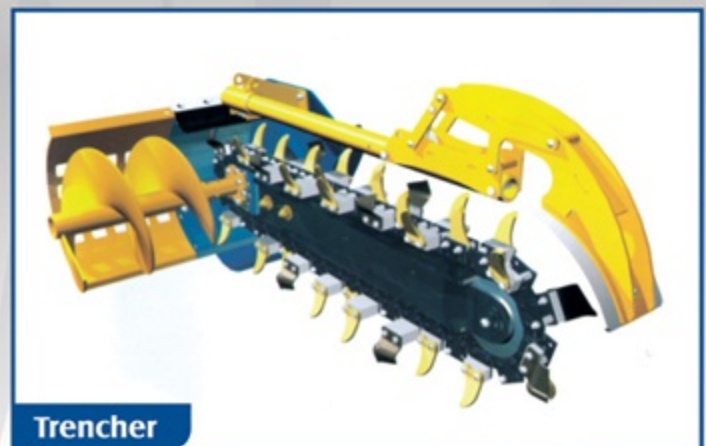
Pallet Fork



Pallet Fork



Trencher



Trencher

# Skid Steer Attachments.



Dumper Bucket



Dumper Bucket



P D Vibrating Roller Compactor



Vibrating Roller Compactor



Extension Bucket



6 in 1 Bucket



Tree Cutter



Concrete Bucket

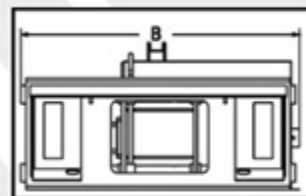
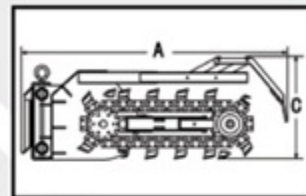
## DITCH CLEANING BUCKET



Dimensions	
Bucket Size	550mm, 650mm 700mm, 800mm

## Trencher

Model	
Trenching Depth(mm)	1220
Overall Width B (mm)	1350
Trenching Width (mm)	115
Trenching Angle (°)	65°
Overall Length A (mm)	2292
Overall Height C (mm)	720
Discharge Distance (mm)	600
Flow Range (L/min)	80-110
Pressure Range (Mpa)	14-22
Operating Weight (kg)	590

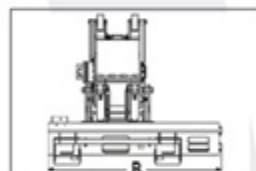
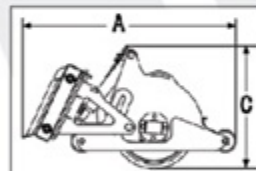


## STUMP GRINDER



## Cold Planer

Model	
Weight (Kg)	663
Overall length A (mm)	1526
Overall Width B (mm)	1674
Overall height C (mm)	852
Planing Width (mm)	350
Max. Planing Depth (mm)	110
Flow Range (L/Min)	80-120
Planing No. of Tools	40
Max. Planing Angle (°)	15
Side-Shift Distance (mm)	600
Pressure (Mpa)	20



# Skid Steer Attachments.



## Backhoe

### SPECIFICATIONS

Dimensions	
Weight of backhoe with bucket	700kg
Transport height	2439mm
Outrigger width	1445mm
Max. digging depth	2550mm
Overall operating height, fully raised	2883mm
Dump Height	1910mm
Dump reach	1263mm
Bucket rotation	195degree
Reach from swing pivot	3420mm
Swing arc.	180degree
Outrigger spread operating position	1325mm
Straight wall digging depth	685mm
Max. breakout force	16.55km
Backhoe Bucket	300mm/450mm/600mm/650mm

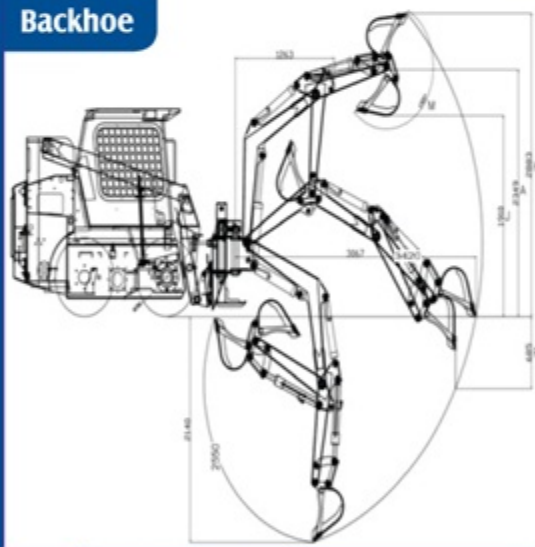
## Backhoe



## Backhoe

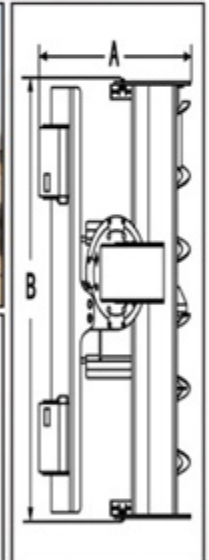
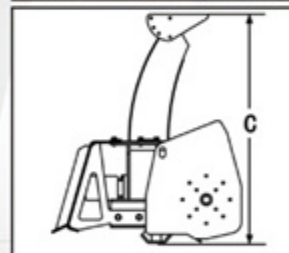


## Backhoe



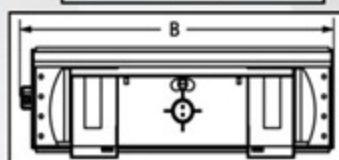
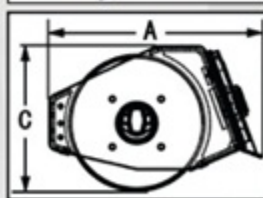
## Snow Blower

Model	
Operating Width (mm)	1830
Overall length A (mm)	998
Overall Width B (mm)	1860
Overall height C (mm)	1204
Operating height (mm)	580
Weight (Kg)	538
Flow (Lpm)	80-100
Pressure (Mpa)	14-22



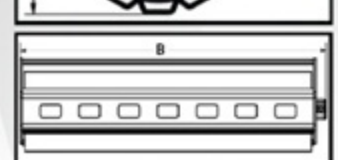
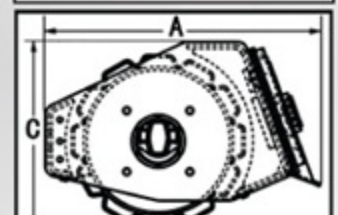
## Vibratory Roller

Model	
Overall Width B (mm)	2007
Drum Width (mm)	1855
Overall Height C (mm)	788
Overall Length A (mm)	990
Drum Diameter (mm)	609
Operating Weight (kg)	1104
Dynamic Force (Kn)	39
Vibrating Speed (vpm)	2600
Drum Oscillation/Tilt (degrees)	15



## PD Vibratory Roller

Model	
Overall Width B (mm)	2007
Drum Width (mm)	1855
Overall Height C (mm)	788
Overall Length A (mm)	990
Drum Diameter (mm)	609
Operating Weight (kg)	1044
Dynamic Force (Kn)	39
Vibrating Speed (vpm)	2600
Drum Oscillation/Tilt (degrees)	15







# Skid Steer Attachments.



**Tilt Dozer**

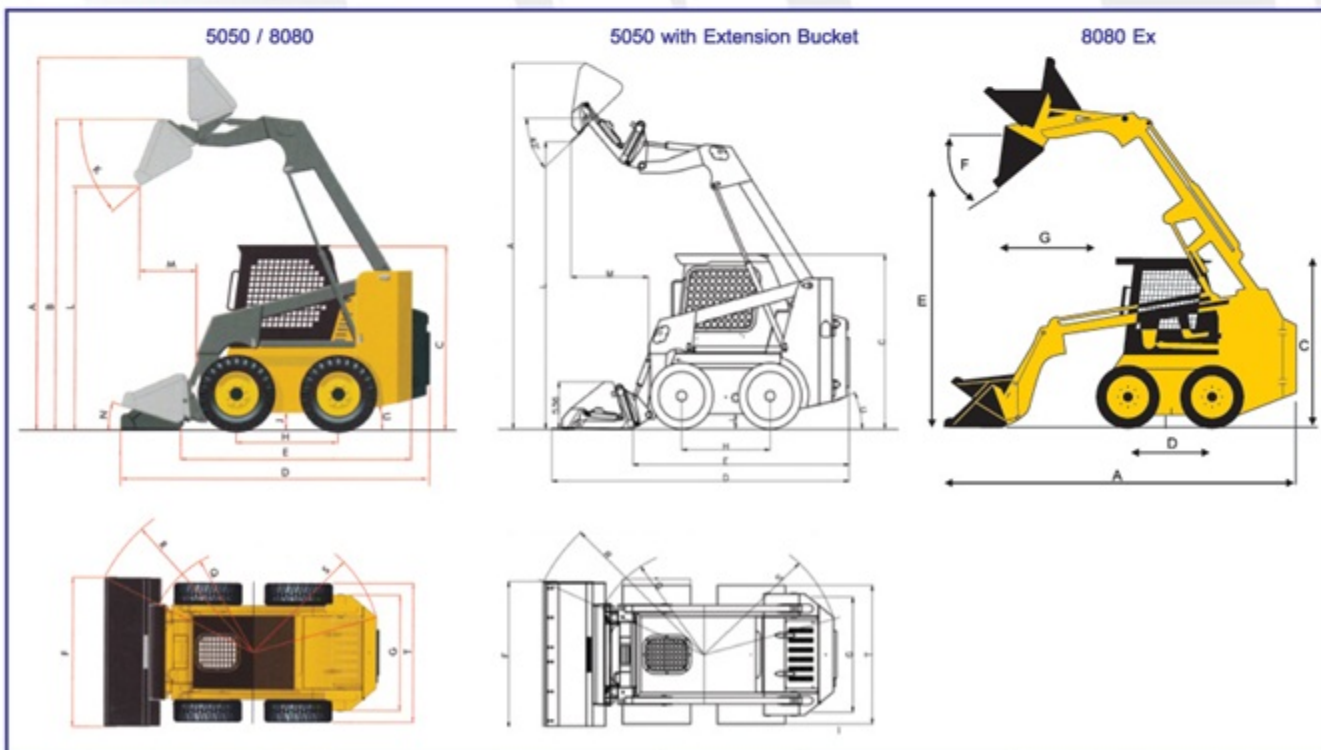


**Bucket with Hydraulic Grab**

Dimensions		5050	5050 with Extension Bucket	8080	8080 EX
Overall operating height (to top of bucket)	A mm	3870	4131	4128	4892
Overall operating height (to hinge pin)	B mm	2970	2970	3225	3989
Overall Height	C mm	2025	2025	2055	2055
Overall Length (with bucket)	D mm	3270	3519	3509	3509
Overall Length (without bucket)	E mm	2560	2560	2777	2777
Overall Width	F mm	1690	1690	1886	1886
Tread Width (or track gauge)	G mm	1330	1330	1502	1502
Wheel Base (or Length of track on ground)	H mm	1045	1045	1181	1181
Ground Clearance	J mm	174	174	195	195
Dump Angle	K degree	42	42	38	38
Dump Height	L mm	2236	3274	2532	3296
Dump Reach	M mm	608	917	544	1021
Rollback at ground	N degree	23	23	26	26
Turn circle front (Without bucket)	Q mm	1234	1234	1304	1304
Turn circle front (with bucket)	R mm	1958	1958	2128	2128
Turn circle rear	S mm	1490	1490	1641	1641
Overall width (without bucket)/width overtyres.	T mm	1603	1603	1790	1790
Departure angle	U degree	24	24	26	26
Tyre (4 Wheel)		10 x 16.5 - 10PR	10 x 16.5 - 10PR	12 x 16.5 - 12PR	12 x 16.5 - 12PR

Performance		Hyundai/Cummins	Hyundai/Cummins	Cummins	Cummins
Engine		Hyundai/Cummins	Hyundai/Cummins	Cummins	Cummins
Rated operating capacity	kg	850	730	1140	840
Tipping load	kg	1680	1680	2280	1580
Operating weight	kg	2680	2680	3320	3420
Travel speed	km/h	11.0	11.0	11.5	11.5
Bucket capacity (Heaped capacity)		0.5m <sup>3</sup>	0.5m <sup>3</sup>	0.7m <sup>3</sup>	0.4m <sup>3</sup>

Note: We reserve the right of making technical alterations.





Delhi IG Airport

## Technical Specification

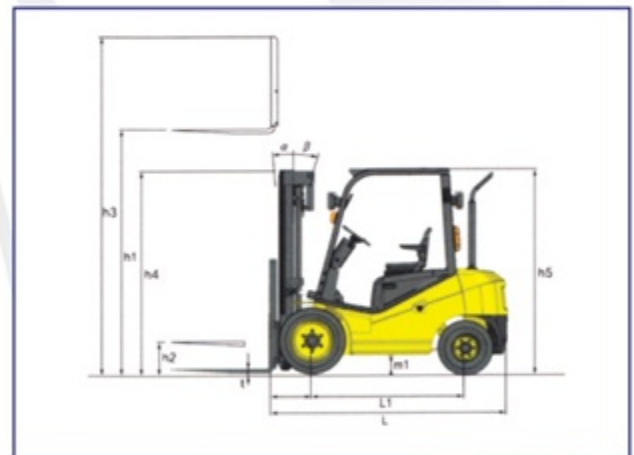
- ▶ Grader Blade Length - 8 Feet Long Standard / 10 Feet Optional
- ▶ Front Blade - 5 Feet Blade Attached to Scarifier (Optional)
- ▶ Grader Blade Can Tip in Full Angle Position - 6'9".
- ▶ Scarifier - 3 Nos. Scraper Come (Optional)
- ▶ Grader Blade Vertical Travel - 16"
- ▶ Blade Angle - 28 Both Directions
- ▶ Turning Radius - Approx. 23.5 Meters
- ▶ Grader Blade Side Shift - 24"
- ▶ Grader Blade Height - 15"
- ▶ Tyre Size - 10 x 16.5 (6 Nos.)
- ▶ Cabin ROPS



# Fork Lift



	Model & Manufacturer	Unit	DX30-2
Performance	Capacity	kg	3000
	Load Center	mm	500
	Lifting Height	mm	3250
	Free Lift	mm	145
	Lifting Speed (U/L)	mm/sec	510/440
	Lowering Speed (U/L)	mm/sec	450/500
	T*W*L	mm	45*100*1070
	Tilt Range FWD / BWD	deg	6/10
	Max. Height	mm	4436
	Min. Height	mm	2162
	Travel Speed - Loaded	km/h	19.3
	Travel Speed - Unloaded	km/h	19.8
	Gradeability (Loaded)	%(deg.)	21.0(11.9)
Min. Turning Radius	mm	2370	
Dimension	Weight (Unloaded)	kg	4310
	Weight Distribution Loaded(F/R)	kg	6351/944
	Weight Distribution Unloaded(F/R)	kg	1695/2625
	Overall Length (To Fork Face)	mm	2719
	Overall Width	mm	1230
	Overhead Guard Height	mm	2167
	Ground Clearance	mm	177
	Wheel Base	mm	1680
	Wheel Tread Front/Rear	mm	1005/968
Engine	Model		Hyundai D4BB
	Rated rpm	rpm	2500
	Cylinder/Displacement	cm3	4/2607
	Max. Engine Rated Power	ps	53
	Max. Engine Rated Torque	kg-m	17.2/1900
	Battery	V-AH	12/100
T/M	Type		Power Shift
	No. of Speeds Front/Rear		1/1
Brake	Service (Foot)		Foot (Wet)
	Parking		Hydraulic Auto
Tire	Steering Type		Power Steering
	Front/Rear		2/2
	Front - Drive		28x9 -15 12PR
Etc.	Rear - Load		6.50 X 10 - 10PR
	Max. Hyd. Pressure	kg/cm3	170/150
	Hyd. Oil Tank	Q	40
	Fuel Tank	Q	54



## Manufacturing facility



UNIT NO. 1 MUMBAI



UNIT NO. 2 PANVEL



UNIT NO. 3 UTTARAKHAND



UNIT NO. 4 UTTARAKHAND



- Corporate Office
- Manufacturing Facility
- ▲ Sales Network



**GAMZEN PLAST PVT. LTD.**  
 Construction Machinery & Piling Equipments.

B- 19, Sussex Ind. Estate, D. K. Cross Marg, Byculla (E), Mumbai - 27, India.  
 Tel.: +91 - 22 - 43557861, 23724863 Fax: +91 - 22 - 43557870, 43557875  
[www.gamzenindia.com](http://www.gamzenindia.com) • [www.gamzenmachines.com](http://www.gamzenmachines.com) • [www.gamzenequipments.com](http://www.gamzenequipments.com)